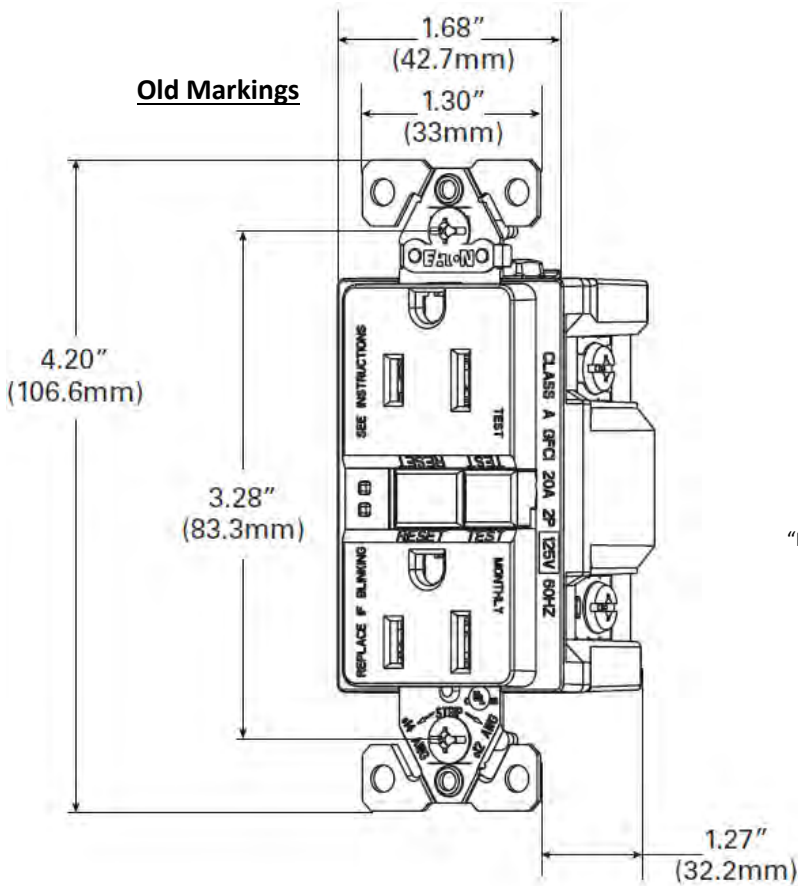


Side by Side Comparison of Changes to Top Housing Markings

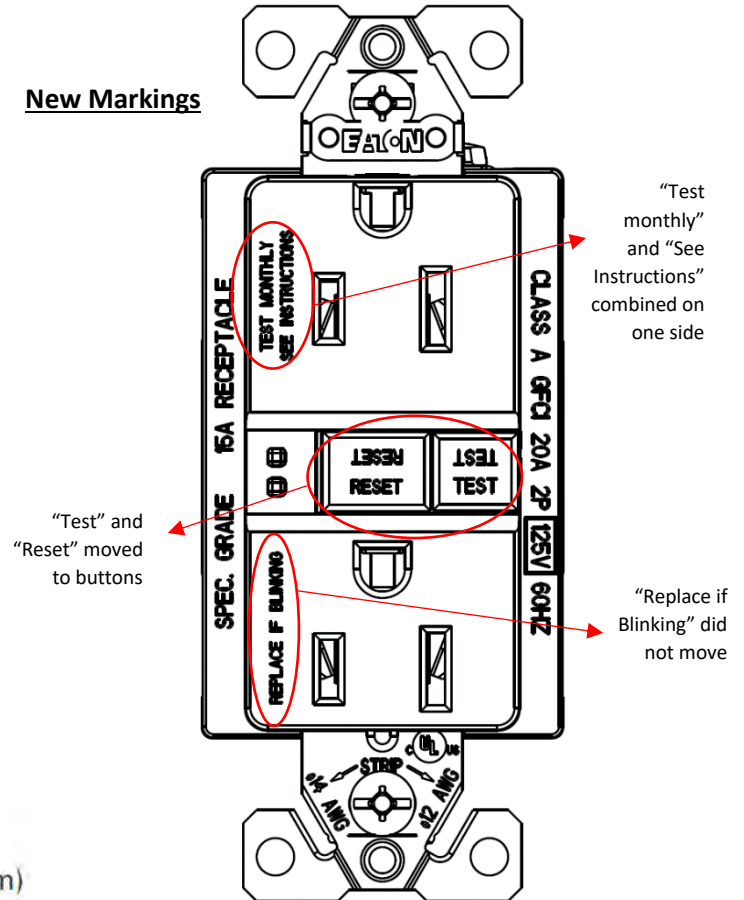
Please note, all new top housing markings highlighted below, including location of markings and changes to text, continue to be compliant with all relevant codes and standards requirements.

Non-TR GFCIs

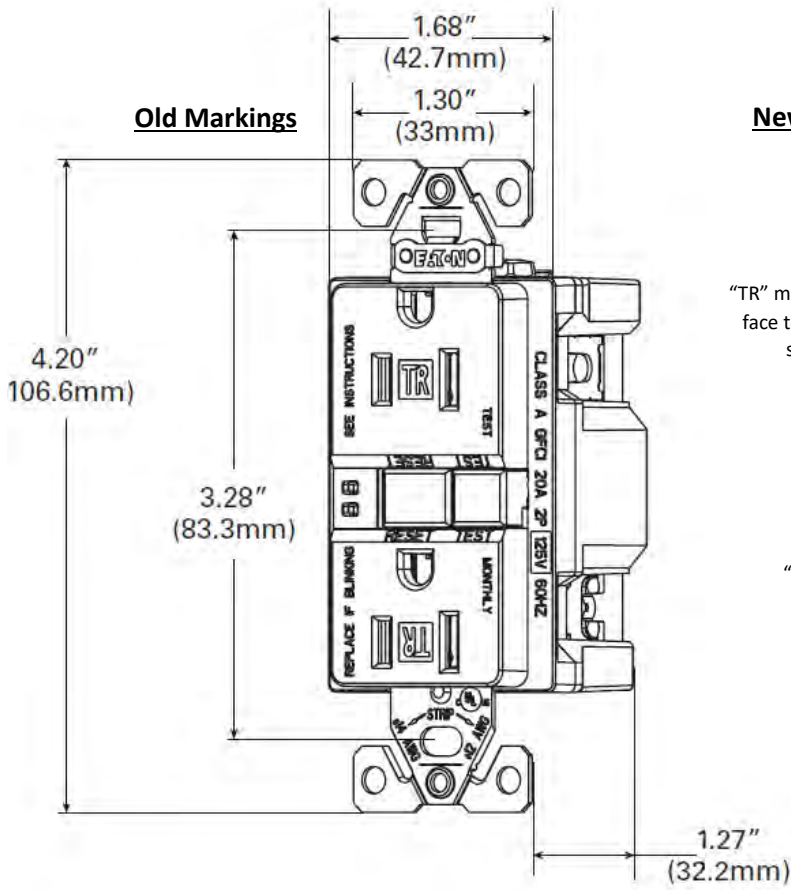
Old Markings



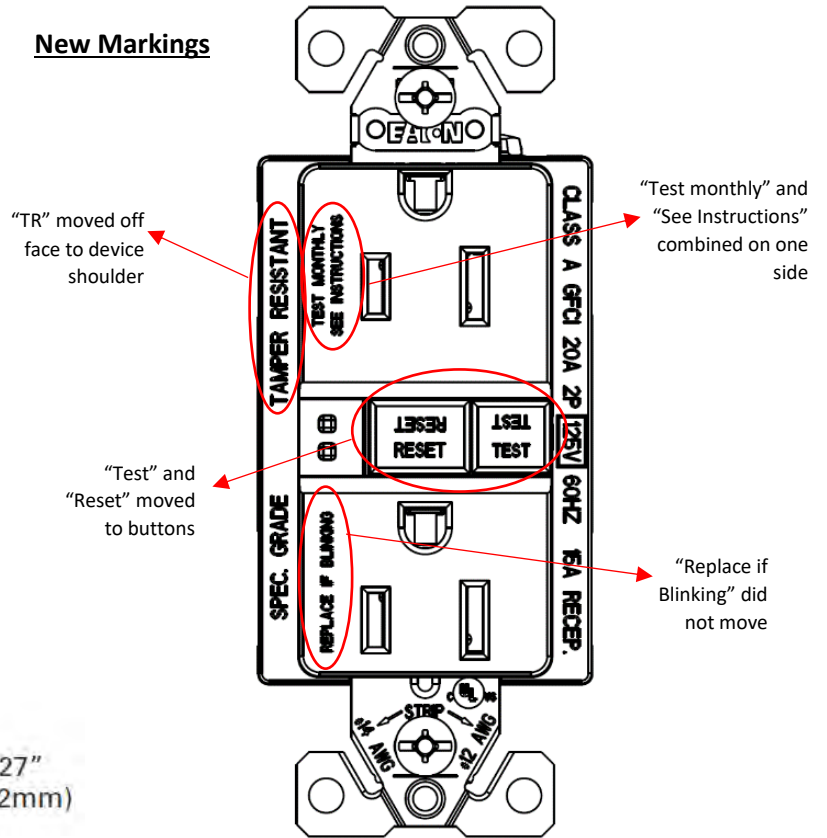
New Markings



TR GFCIs

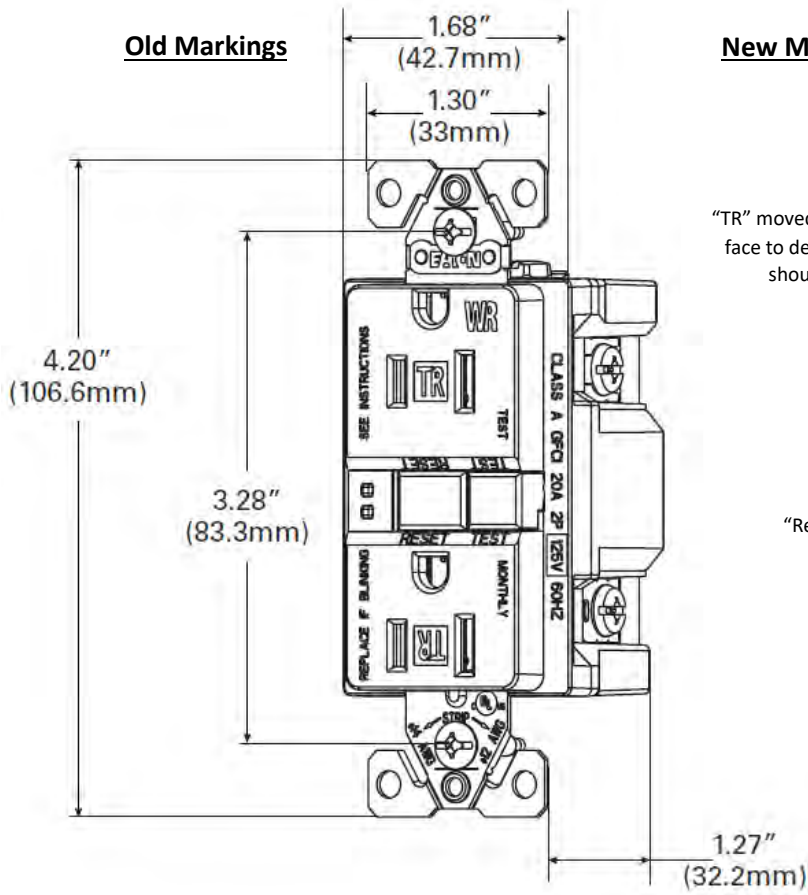


New Markings

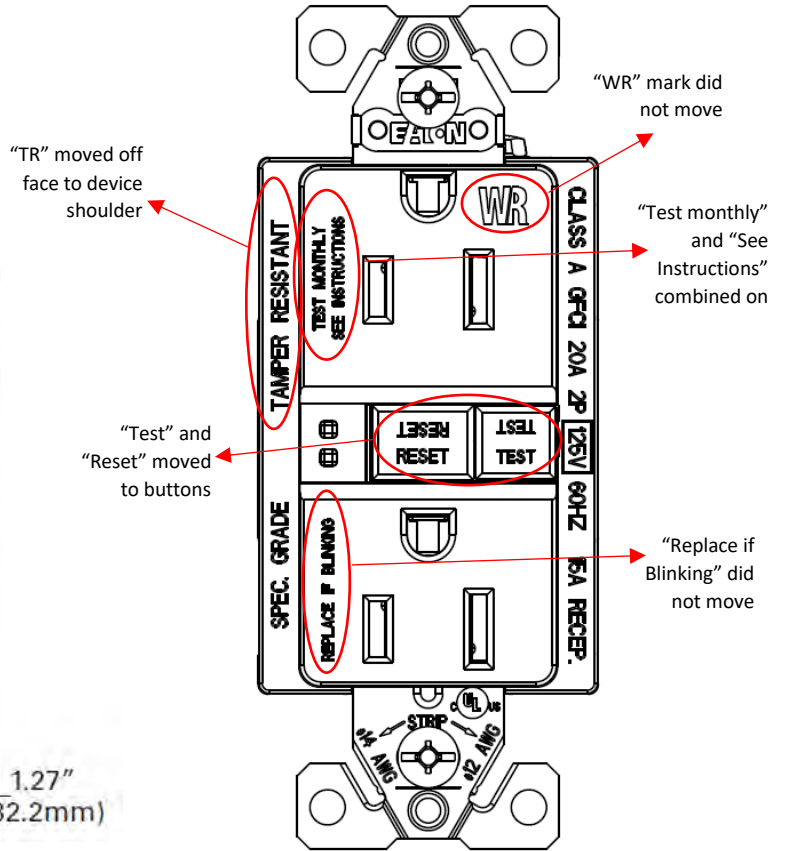


Reminder: TR Shutters are changing to **Black**

TWR GFCIs

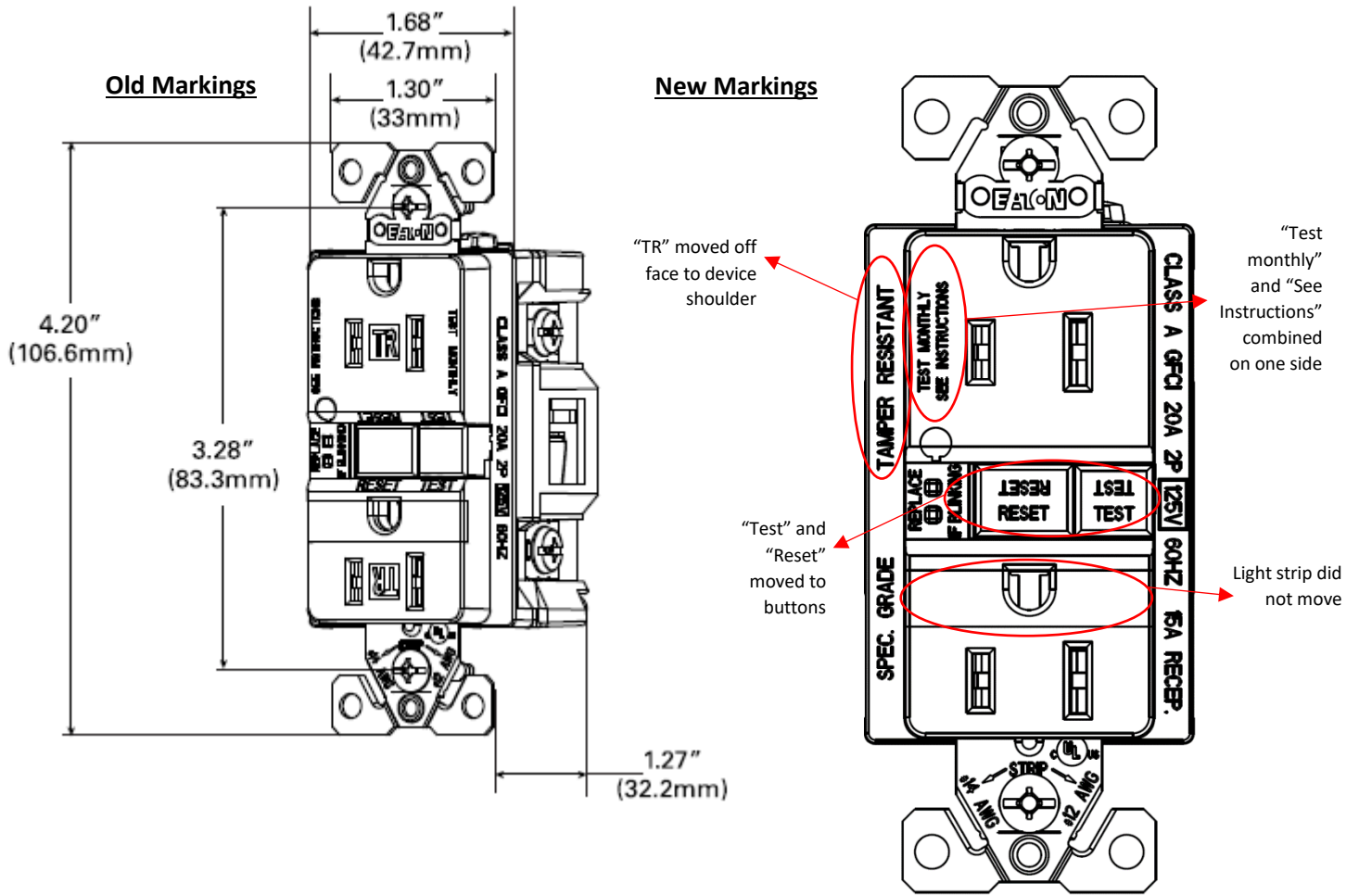


New Markings



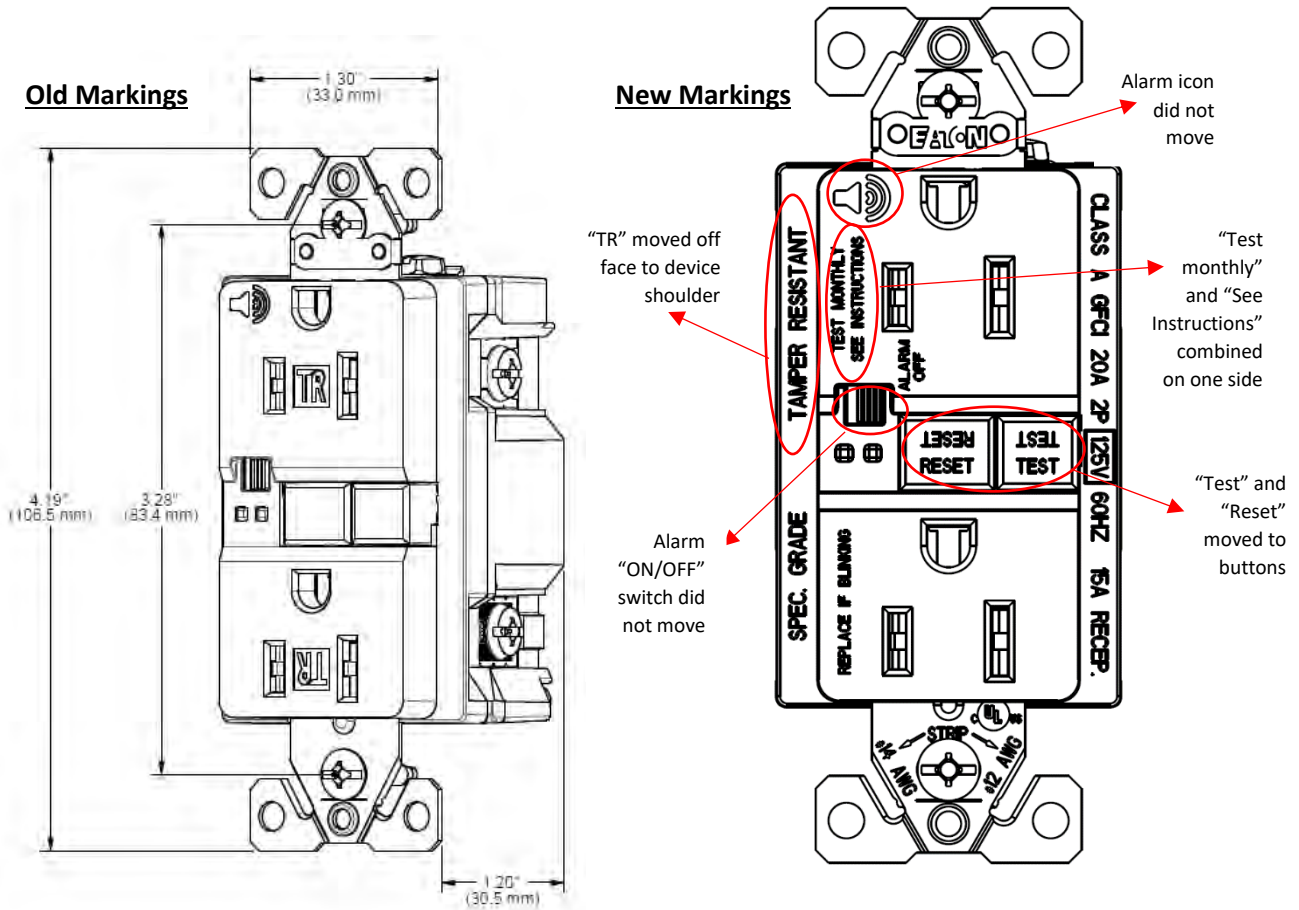
Reminder: TR Shutters are changing to **Black**

NL GFCIs



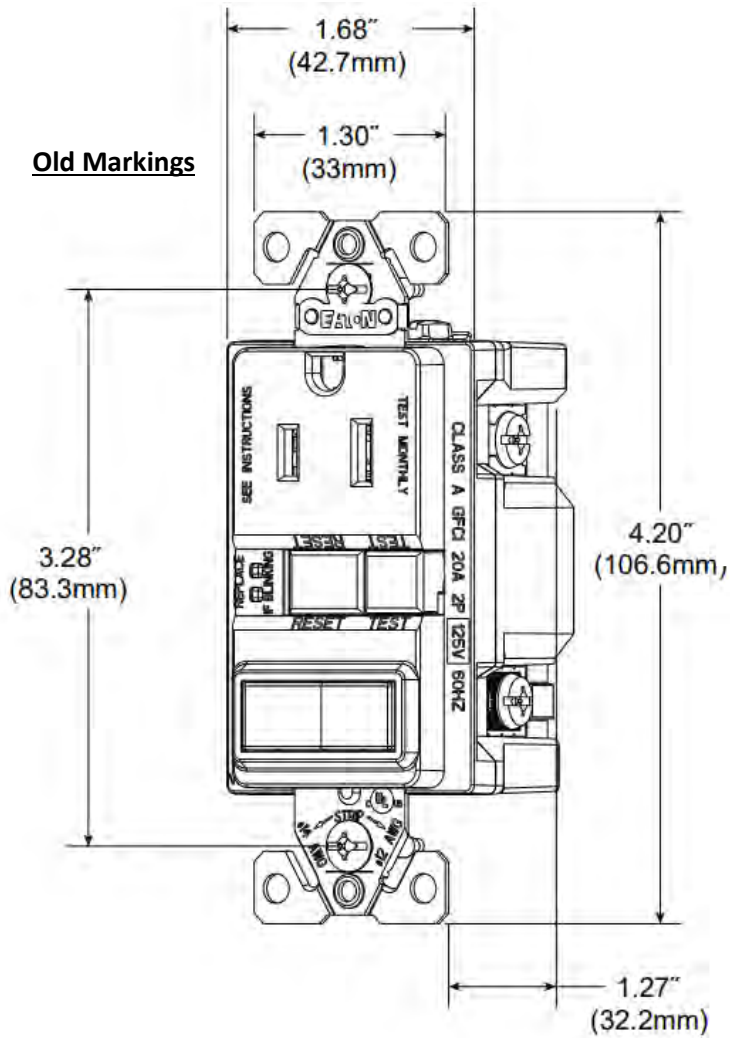
Reminder: TR Shutters are changing to **Black**

Audible Alarm GFCIs

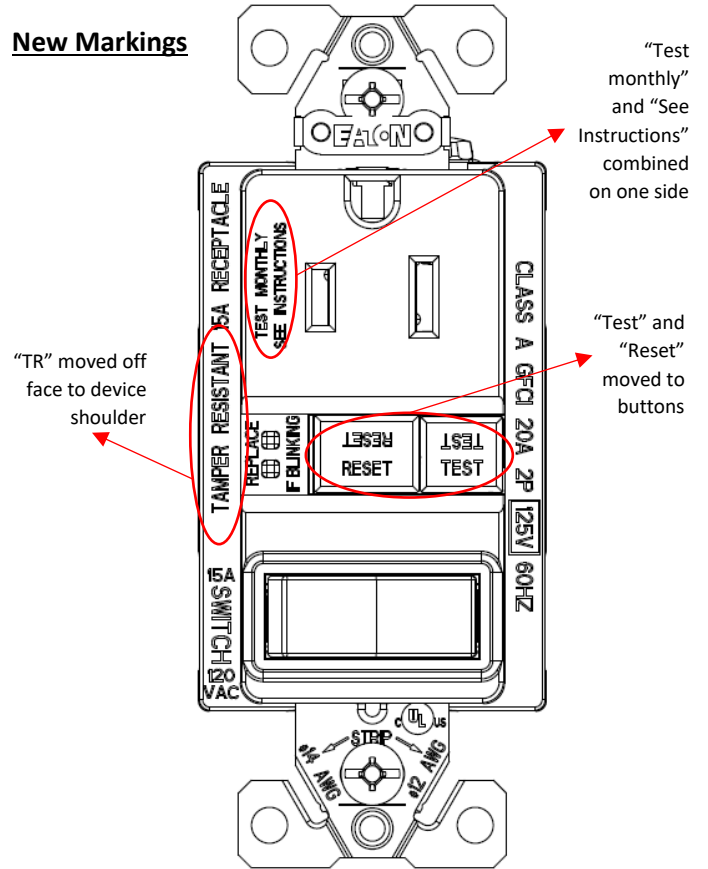


Reminder: TR Shutters are changing to **Black**

Combination TR Switch GFCIs

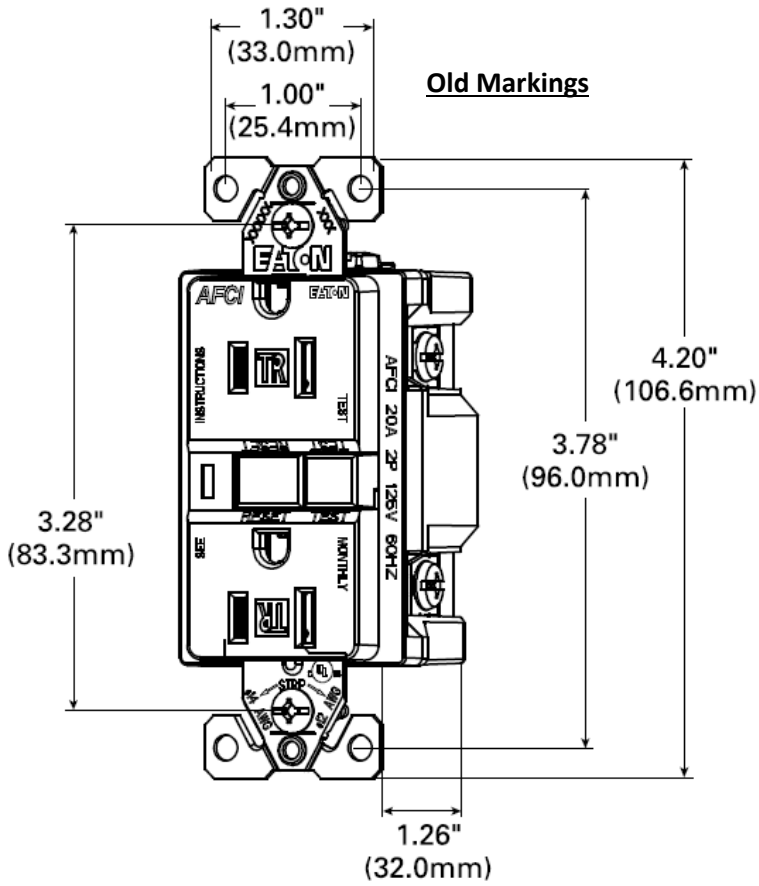


New Markings



Reminder: TR Shutters are changing to **Black**

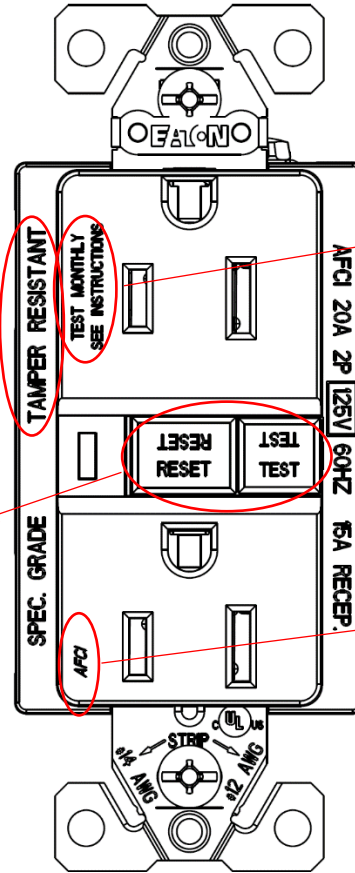
TR AFCIs



New Markings

"TR" moved off face to device shoulder

"Test" and "Reset" moved to buttons

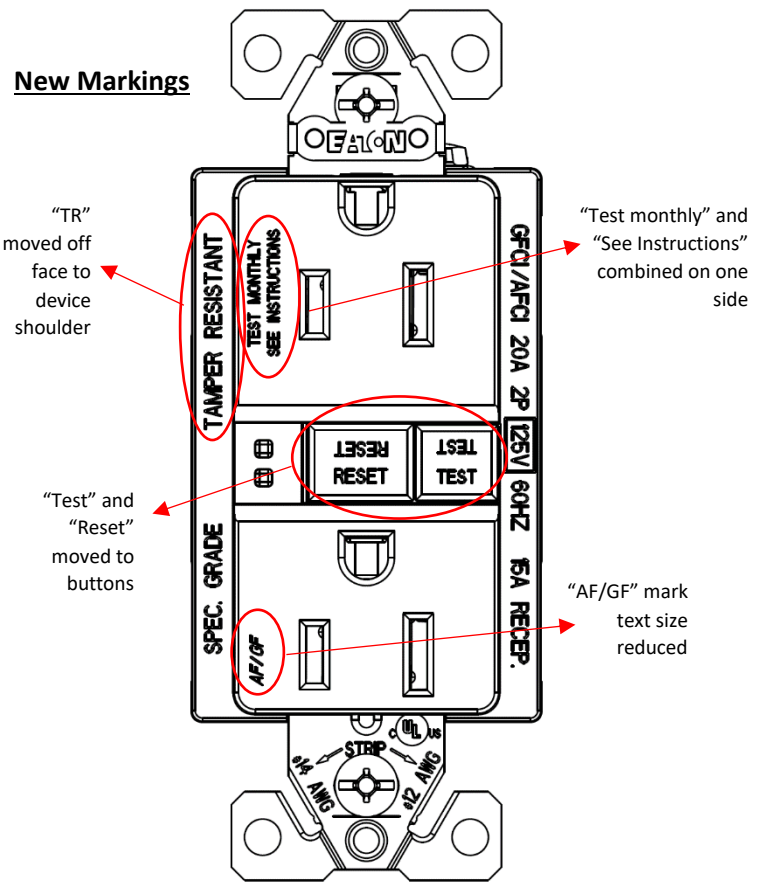
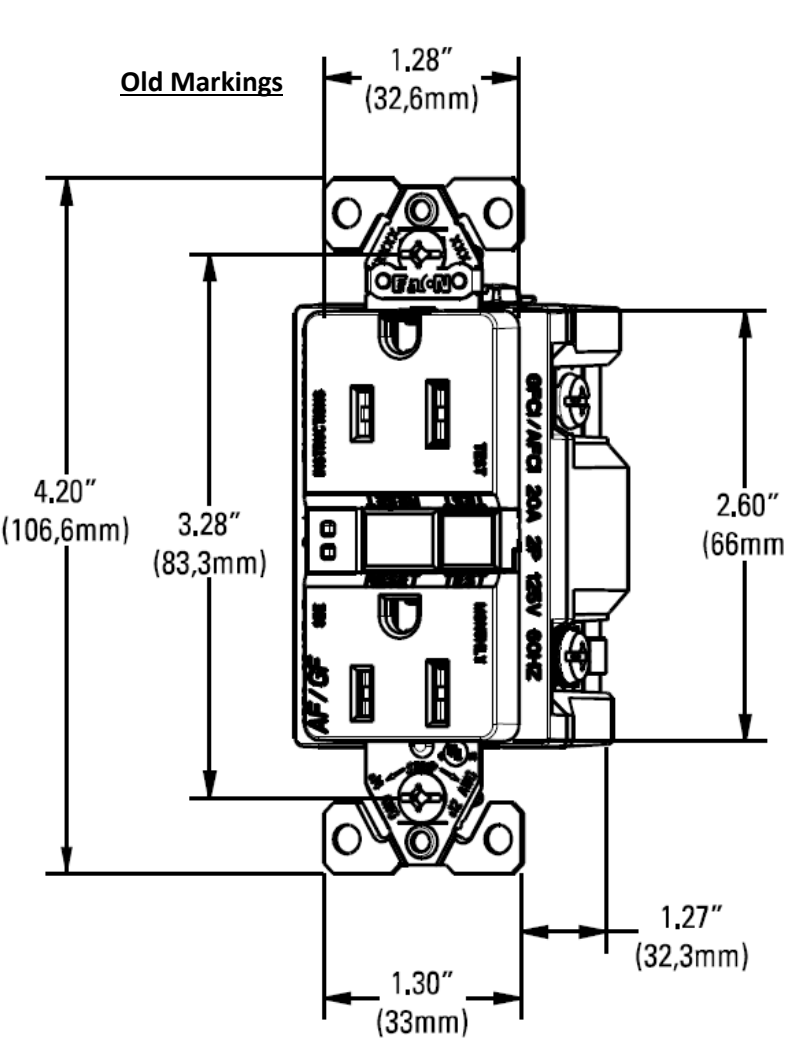


"Test monthly" and "See Instructions" combined on one side

"AFCI" mark rotated and text size reduced. Eaton logo removed from face.

Reminder: TR Shutters are changing to **Black**

TR AFGFs



Reminder: TR Shutters are changing to **Black**