

FLO Ultra™ Series

The ultimate fast charging experience.



Smart Design

- Maximize real estate with dual DC fast charger outlets in a single station
- With up to 320 kW, charge up to 80% in as little as 15 minutes*
- Dedicated intuitive user interface for each charging outlet
- With dynamic powersharing, delivers up to 500 kW for one car in a modular configuration*



Brillantly Simple

- Patent-pending, motorized cable management for effortless charging
- Easy to find with highly visible lighting canopy and intuitive state of charge indicators
- Flexible, secure payment options



Built-to-Last

- Rugged, aluminum enclosure to withstand the elements
- Modular design for maximum uptime, easy serviceability, and expandability
- Expand as needs grow with DC input for connecting multiple chargers together



Technical specifications

ELECTRICAL

Output power	Up to 320 kW
AC Input voltage	480 VAC + 10% / - 15 % (60 Hz)
AC Input connection	3-phase: L1, L2, L3, GND
DC output voltage	150 - 1000 VDC
CHAdeMO DC output current	0.5-200 A
CCS DC output current	0.5-500 A

ENVIRONMENT

Operating temperature	-40 °F to 122 °F / -40 °C to 55 °C
Operating Humidity	5% to 95%, non-condensing
Operating Altitude	2000M
Enclosure	Aluminum Type 3R
Impact rating	IK10

INTERFACE and CONTROL

User interface	<ul style="list-style-type: none"> • (2) 12.1" color LCD touchscreen • English, French, Spanish • Charging station status LED indicators • Vehicle state of charge LED indicators
Authentication / Payment methods	<ul style="list-style-type: none"> • AutoCharge, Remote Start • Card member RFID ISO14443A/B, IEC15693, HID, MiFare) • Credit & debit card (contactless tap, chip, & swipe) • Mobile and NFC payments
Protocol communication car	<ul style="list-style-type: none"> • CCS Type 1 (DIN-SPEC 70121, ISO15118-2, ISO15118-20) • CHAdeMO 0.9
CPO Networking (OCPP)	4G LTE / Ethernet



Monitoring

- Incoming AC voltage monitoring
- DC energy meter

Certification (Pending)

- UL2202/UL2231-1/UL2231-2
- CSA C22.2 No 107.1/CSA C22.2 No 281.1/CSA C22.2 No 281.2
- NRTL listed ENERGY STAR 1.1
- NIST Handbook 44 S3.40 - Type Evaluation Program

Compliance

- Canadian Electric Code
- National Electric Code (NFPA 70)
- Americans with disabilities ACT (ADA)
- FCC Part 15 Class A
- NMB-003 (A)
- CSA-IEC 61000-6-2
- Payment Card Industry Data Security Standard
- California Prop 65 (toxicity)

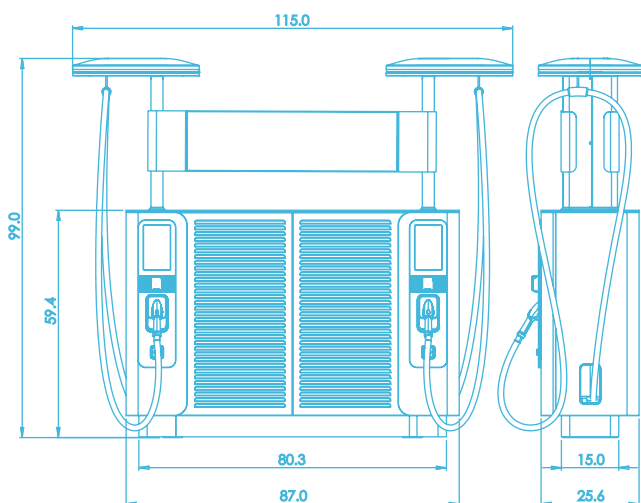
PHYSICAL

Dimensions (H x W x D) 98-3/4" x 115" x 28-3/4" - 2508mm x 2920mm x 730mm

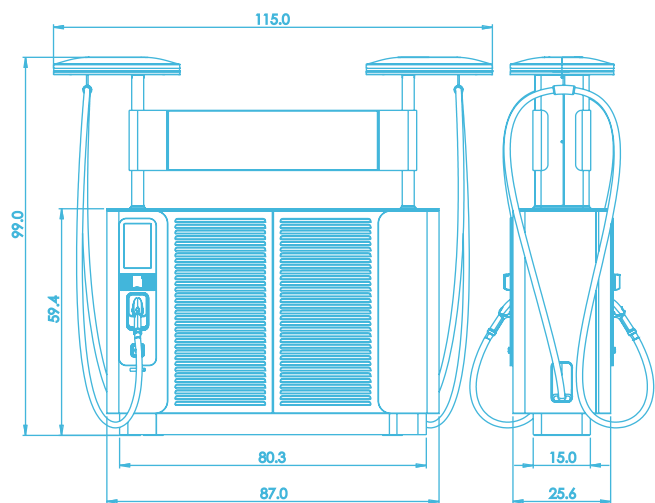
Weight (320 kW station) 1500 lbs/680 kg

Cable length (2) 18ft/5.4m cables

Dimensions and customization



Pull-in parking configuration



Pull-through parking configuration



Learn more
info@flo.com
 1 (855) 543-8356
flo.com

Designed and manufactured by AddÉnergie Technologies Inc. d/b/a FLO.